



GVT-2001 Version: 1

## RJ45 to SC Gigabit Media Converter, Multi-Mode Fiber, 550m

The GVT-2001 MMF SC media converter is able to convert network signals between copper and fiber-optic based networks. The converter provides a 10/100/1000Base-T RJ-45 port, supports full duplex and half duplex switch connectivity and 10Base-T, 100Base-TX and 1000Base-T auto-sensing. Used in multi-mode with fibre-optic cabling, this can extend a network range up to 550m.

The device features built-in Dip switches for easy converter configuration, which function on the Smart LFP (Link Fault Pass-through), allowing the converter to monitor both the fiber and copper ports for signal loss, as well as cut through and smart pass through mode.

The GVT-2001 is able to operate in temperatures from -10° up to 55° Celsius. The converter can be used as a standalone unit or as a slide-in module to the CHV-2000 19" converter rack, which can accommodate up to 14 units for use in a central wiring closet.



1. 10/100/1000Mbps Fiber Port
2. LED Indicators
3. 10/100/1000Mbps RJ-45 Port

4. DC Power Jack
5. Dip Switch

### Key Features

- Transfers data from 10/100/1000Base-T copper to fiber interfaces
- 1000Base-SX Multi-mode fiber for the link up to 550m
- 9K jumbo frames to increase data transfer rates
- Built-in LFP (Link Fault Pass-through) (LLCF/LLR) Technology
- IEEE 802.3x Flow Control protects against lost packets for reliable data transmission
- Dip switches for customized configuration
- Supports low-time lag transmission
- Supports the transmission of extra-long packets up to 1.6KB



- -10°C to 55°C operating temperature range

---

## Works With



**CVH-2000**  
14-Slot Media Converter Chassis



**GVT-2000**  
RJ45 to SFP Gigabit Media Converter

---

## Specifications

### System Specifications

#### Standards & Protocols:

IEEE 802.3 10-BASE-T, Ethernet  
IEEE 802.3u 100-BASE-TX, Fast Ethernet  
IEEE 802.3ab 1000BASE-T, Gigabit Ethernet  
IEEE 802.3x Flow Control (full-duplex flow control)  
IEEE802.3z 1000Base-SX/LX,

#### Port:

Fiber Duplex SC (550m);RJ-45 Port CAT-5/5e Twisted Pair cable Auto MDI/MDI-X (Max to 100m) and Auto-Negotiation

#### Indicator:

PWR,TX (FDX, 100, 1000, Link/Act), FX Link/Act

#### Wavelength (nm):

850nm

#### Transmission Method:

Store and forward (Default)

#### Power Input:

DC 5V/2A

### Features

#### General:

DIP Switch 1: LFP function  
DIP Switch 2 and 3 performance 4 types work mode  
DIP Switch 2 and 3 is OFF = Store and forward  
DIP Switch 2 is OFF, 3 is ON = Cut through mode  
DIP Switch 2 is ON, 3 is OFF = Smart pass through  
DIP Switch 2 and 3 is ON = Pass through mode

### Performance

#### Operating Distance:

550 m

### Environment

Operating Temperature (°C):

Storage: -40 ~75 °C

Operating: -10 ~ 55 °C

Operating Humidity (Non-condensing):

5 ~ 90 %

Installation:

Desk, chassis mounted

## Physical Specifications

Dimensions (W x D x H mm):

71 x 94 x 26 mm

Weight (g):

420 g

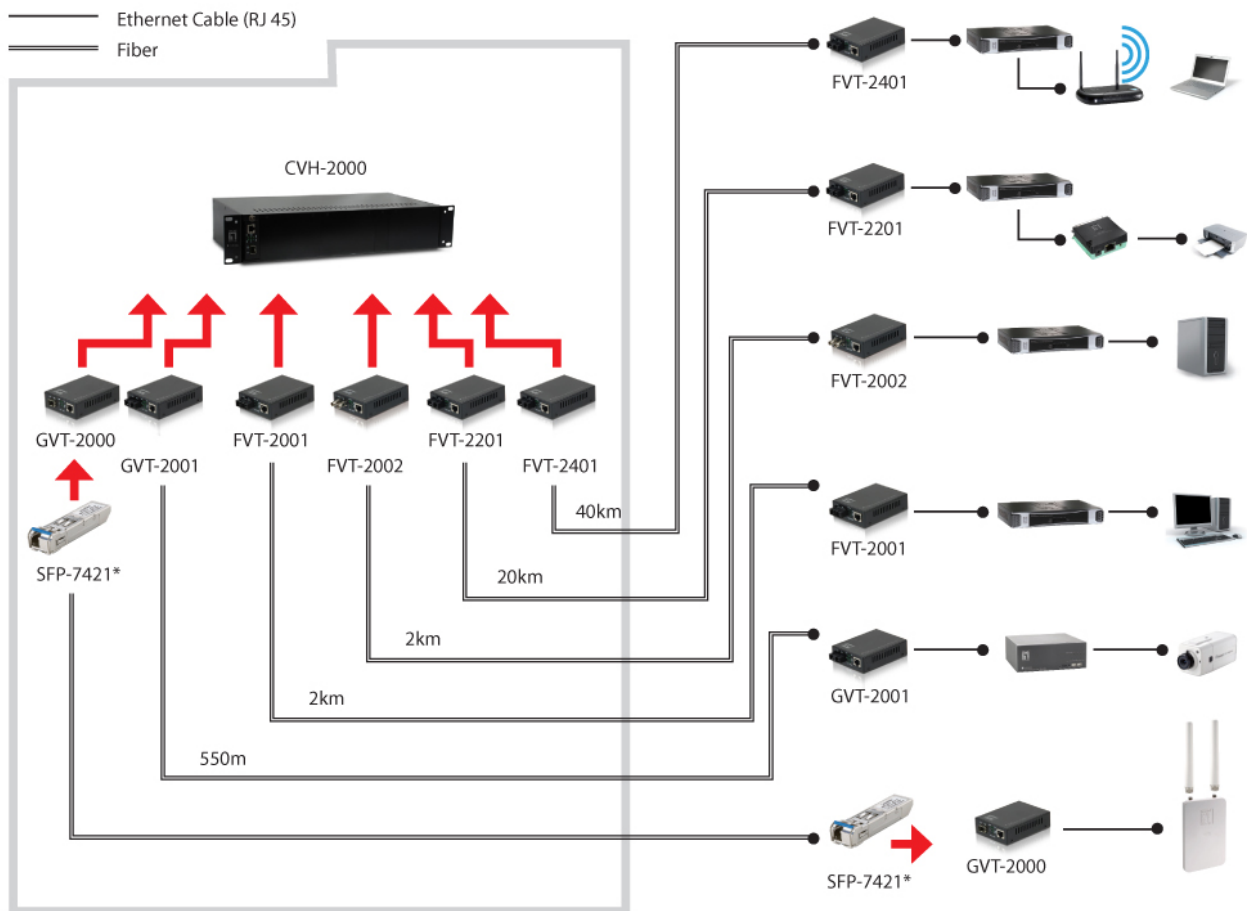
## Approval and Compliance

EMI/EMS:

CE, RoHS, FCC

## Diagram

### Dimension Diagram



\*In above example diagram, converter modules at local and remote ends should be paired for proper connectivity, and the distance mainly depends on cable and transceiver selection accordingly.



## Order Information

GVT-2001

---

## Package Contents

GVT-2001  
Power Adapter  
Quick Installation Guide

---

## Optional Accessory



**CVH-2000**  
14-Slot Media Converter Chassis

No liability or responsibility for any errors or omissions in the content.  
Specifications are subject to change without notice.  
All mentioned brand names are registered trademarks and property of their owners.  
Copyright © Digital Data Communications GmbH, Germany. All Rights Reserved.